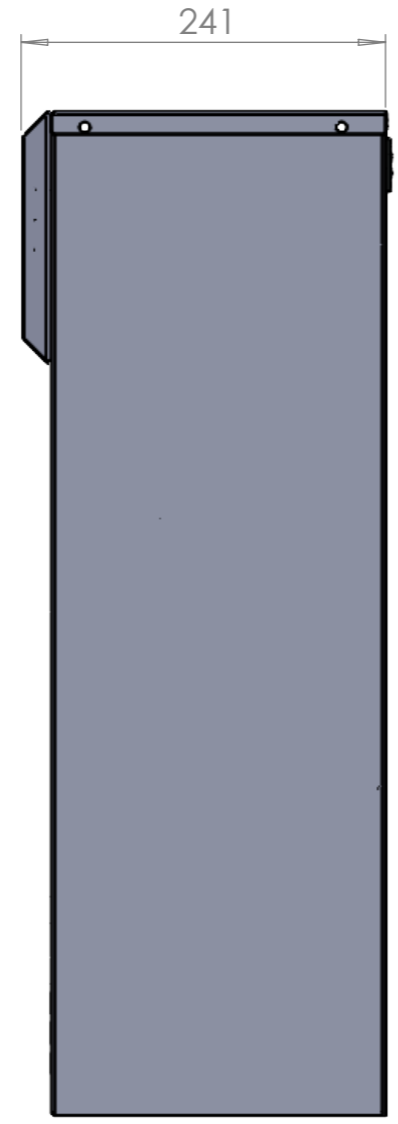
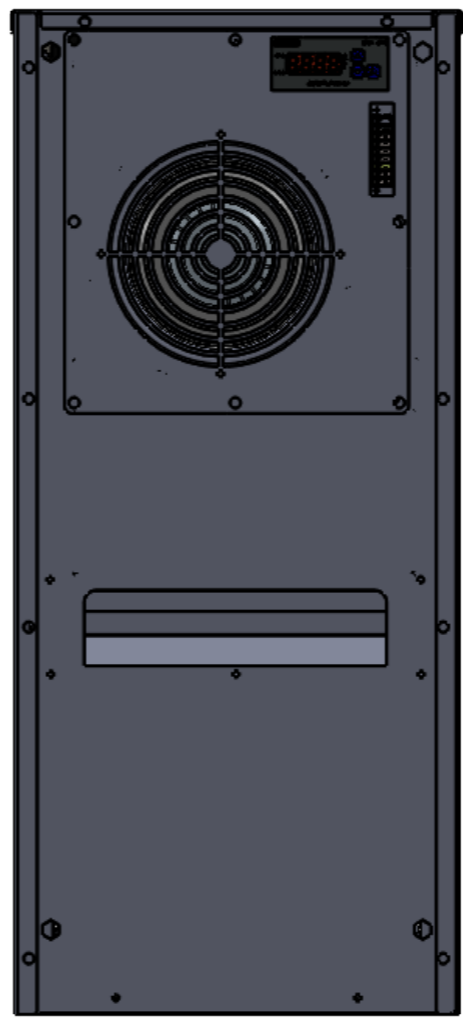


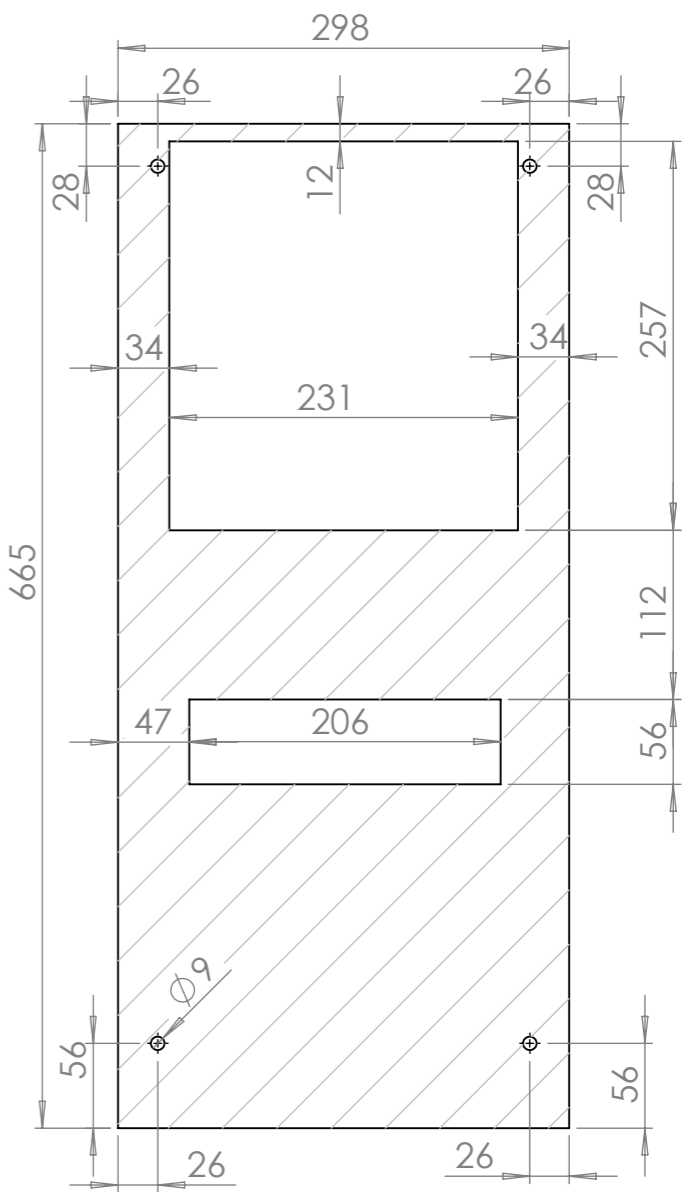
ÖN GÖRÜNÜŞ
FRONT VIEW



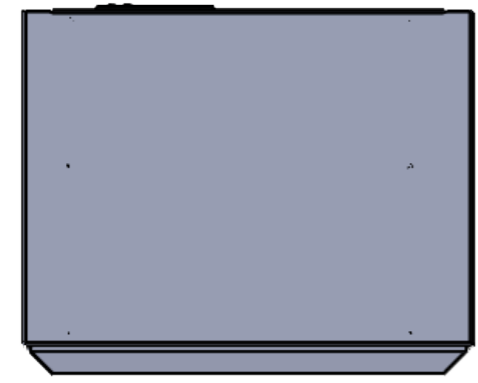
YAN GÖRÜNÜŞ
SIDE VIEW



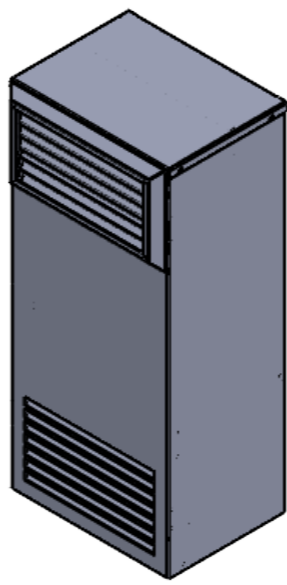
ARKA GÖRÜNÜŞ
BACK VIEW



KESİM ŞABLONU
CUTTING TEMPLATE



ÜST GÖRÜNÜŞ
TOP VIEW



GENERAL TOLERANCE	
0 - 30	± 0.0
30 - 120	± 0.1
120 - 315	± 0.2
315 - 1000	± 0.3
1000 - 2000	± 0.4
2000 - 4000	± 0.5
4000 - 8000	± 0.6
8000 - 12000	± 0.8

THIS PRINT IS OWNED BY KLIMEXS. IT'S CONTENTS MUST NOT BE COPIED OR DISCLOSED TO OUTSIDERS. DIMENSIONS ARE INDICATED AS MILLIMETRES

SCALE
1:5

DRAWN BY	CONTROL	DATE
SELİN SEVİM		09.08.2024

MATERIAL	MATERIAL THICKNESS



PART/ASSEMBLY NAME	DRAWING DESCRIPTION
BTK-00750-OD-G-EMRWALKHP-R1 34A-25-R0000	BTK750-OUTDOOR