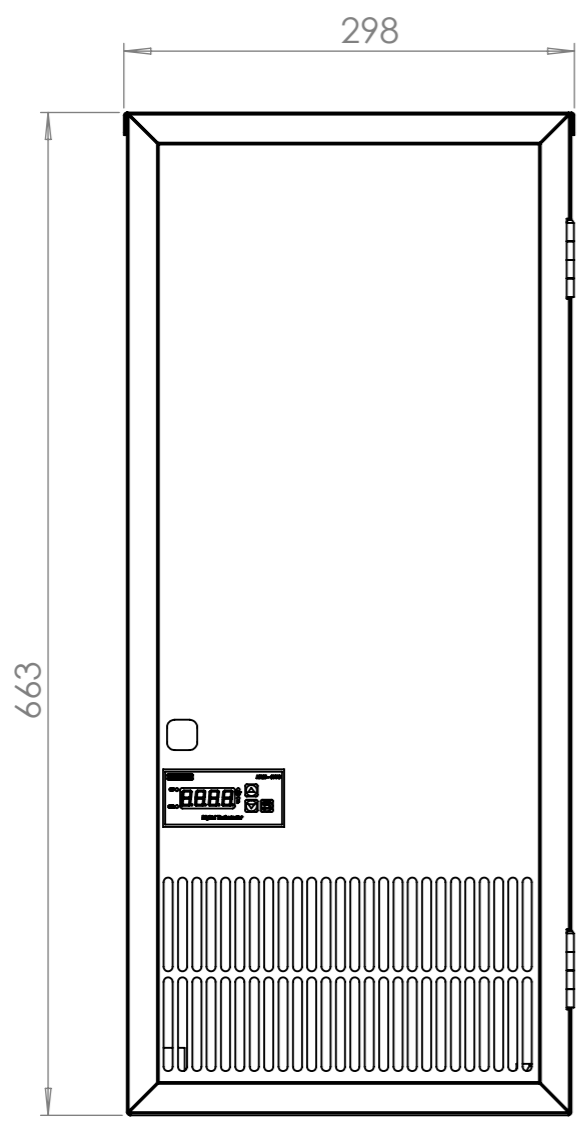
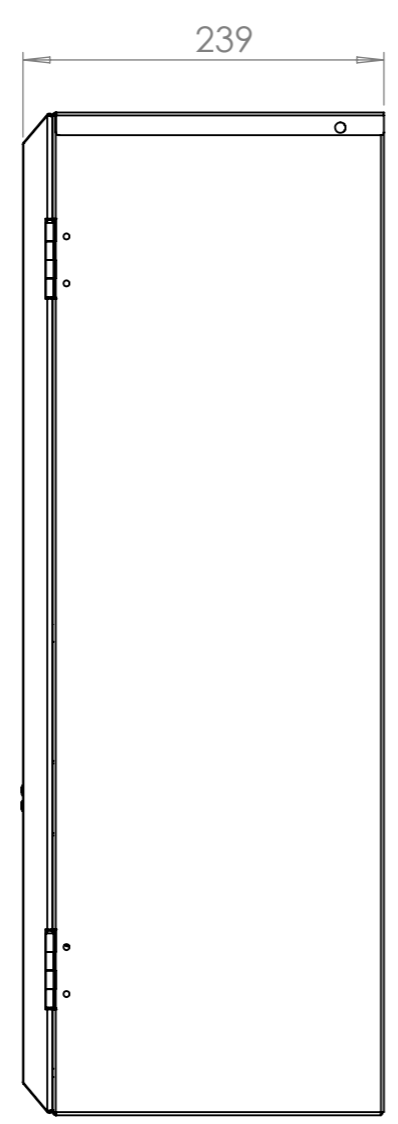


8 7 6 5 4 3 2 1

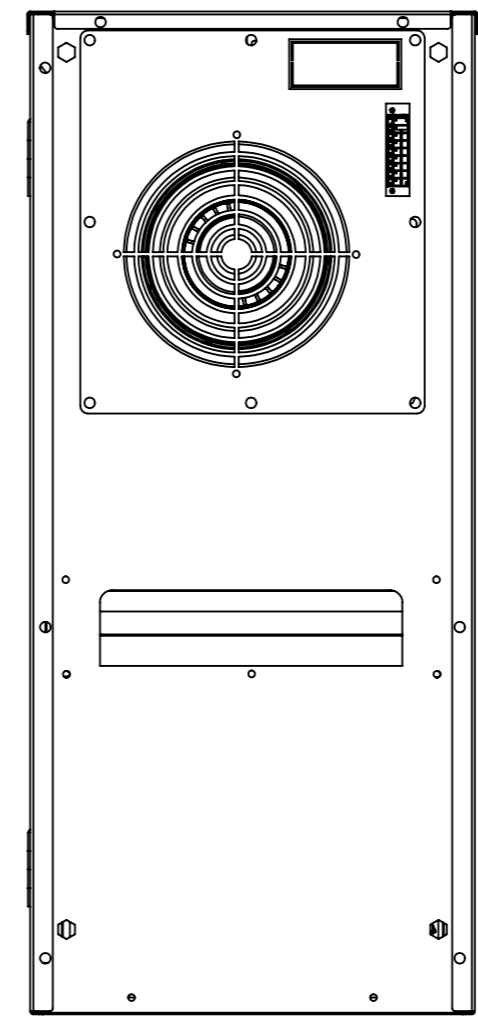
F
E
D
C
B
A



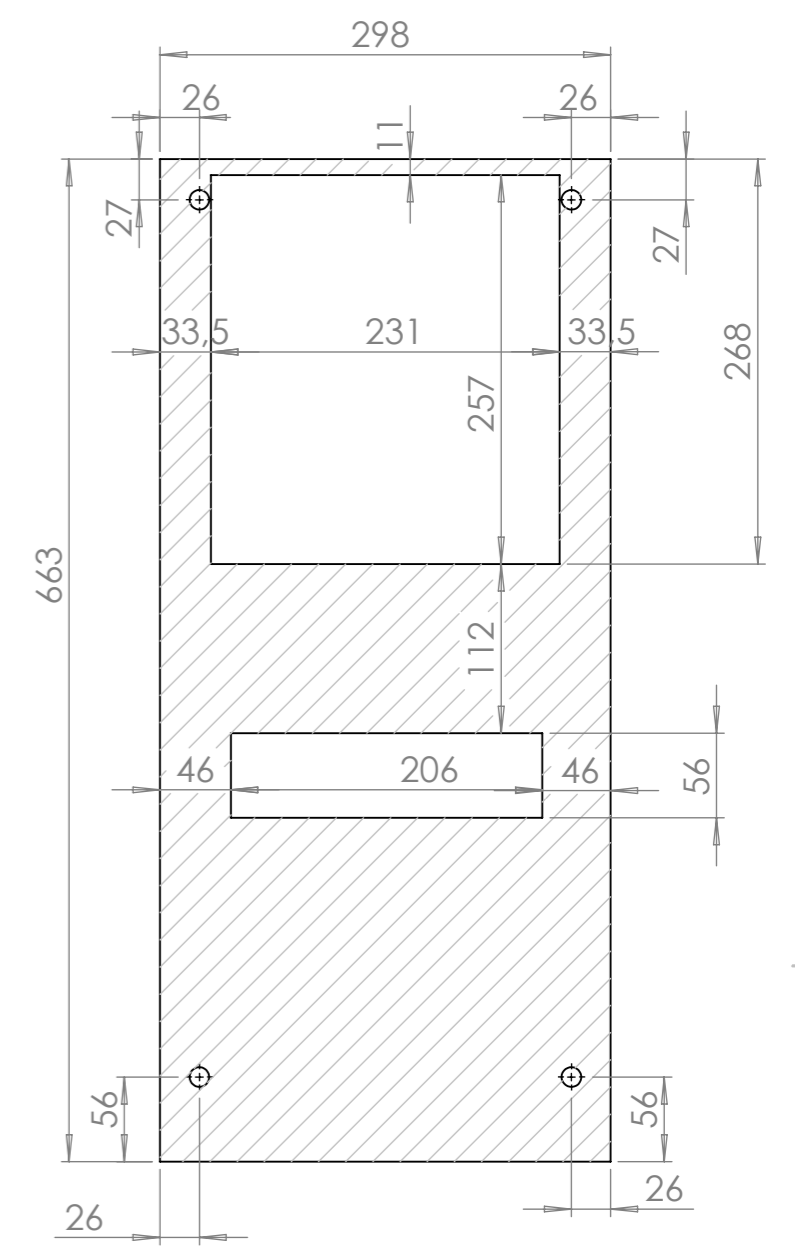
ÖN GÖRÜNÜŞ
FRONT VIEW



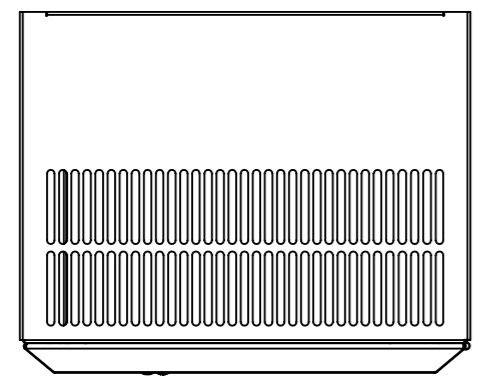
YAN GÖRÜNÜŞ
SIDE VIEW



ARKA GÖRÜNÜŞ
BACK VIEW



KESİM ŞABLONU
CUTTING TEMPLATE



ÜST GÖRÜNÜŞ
TOP VIEW



GENERAL TOLERANCE	
0 - 30	± 0.0
30 - 120	± 0.15
120 - 315	± 0.2
315 - 1000	± 0.3
1000 - 2000	± 0.4
2000 - 4000	± 0.5
4000 - 8000	± 0.6
8000 - 12000	± 0.8

THIS PRINT IS OWNED BY KLIMEXS. IT'S CONTENTS MUST NOT BE COPIED OR DISCLOSED TO OUTSIDERS. DIMENSIONS ARE INDICATED AS MILLIMETRES

DRAWN BY	CONTROL	DATE
SELİN SEVİM		2.07.2024

MATERIAL	MATERIAL THICKNESS

SCALE
1:10



PART/ASSEMBLY NAME
BTK750-ÇILIR KAPAK TEKNİK

DRAWING DESCRIPTION

8 7 6 5 4 3 2 1