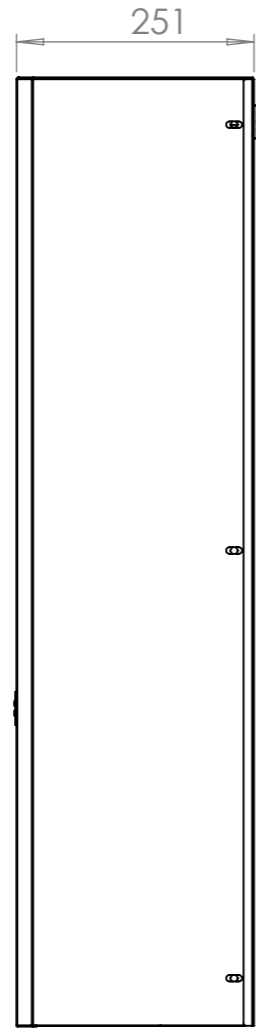
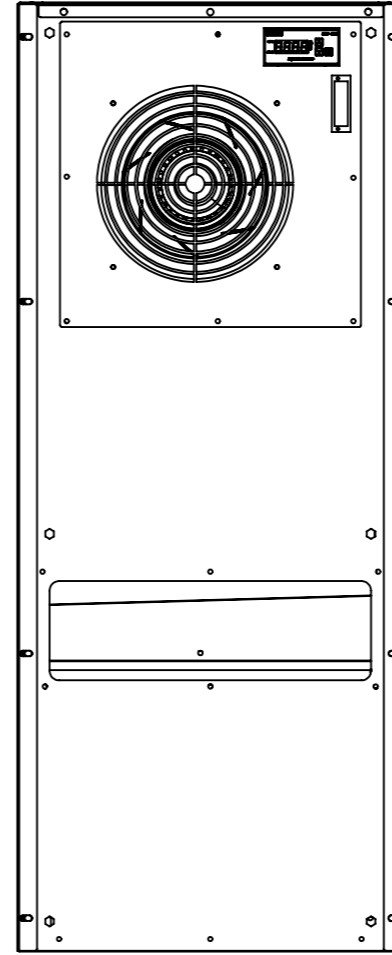


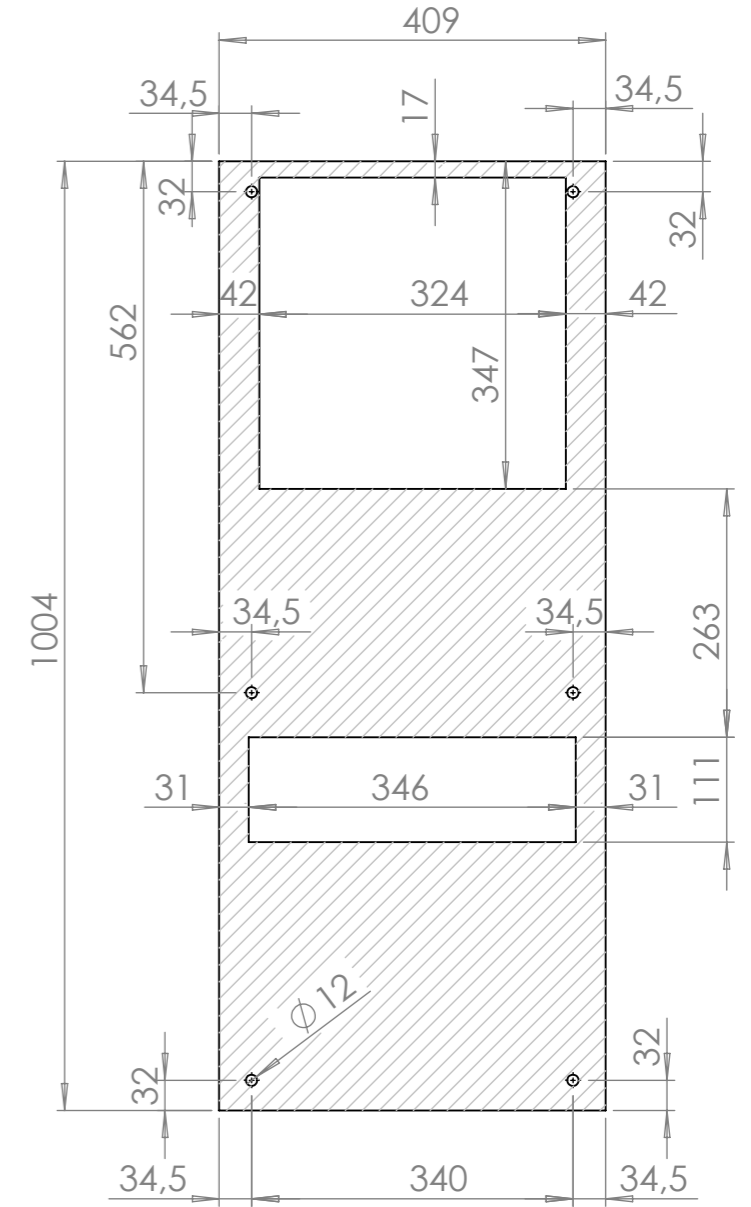
ÖN GÖRÜNÜŞ
FRONT VIEW



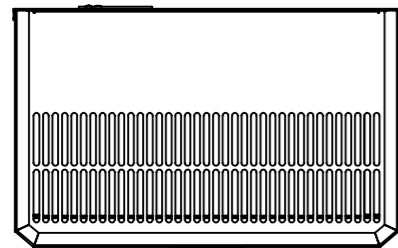
YAN GÖRÜNÜŞ
SIDE VIEW



ARKA GÖRÜNÜŞ
BACK VIEW



KESİM ŞABLONU
CUTTING TEMPLATE



ÜST GÖRÜNÜŞ
TOP VIEW



GENERAL TOLERANCE	
0 - 30	± 1.0
30 - 120	± 1.5
120 - 315	± 2.0
315 - 1000	± 3.0
1000 - 2000	± 4.0
2000 - 4000	± 6.0
4000 - 8000	± 8.0
8000 - 12000	± 10.0

THIS PRINT IS OWNED BY KLIMEXS. IT'S CONTENTS MUST NOT BE COPIED OR DISCLOSED TO OUTSIDERS. DIMENSIONS ARE INDICATED AS MILLIMETRES

SCALE
1:10

DRAWN BY: SELİN SEVİM CONTROL: DATE: 2.07.2024

MATERIAL: MATERIAL THICKNESS:

PART/ASSEMBLY NAME
BTK2000-INDOOR TEKNİK



DRAWING DESCRIPTION